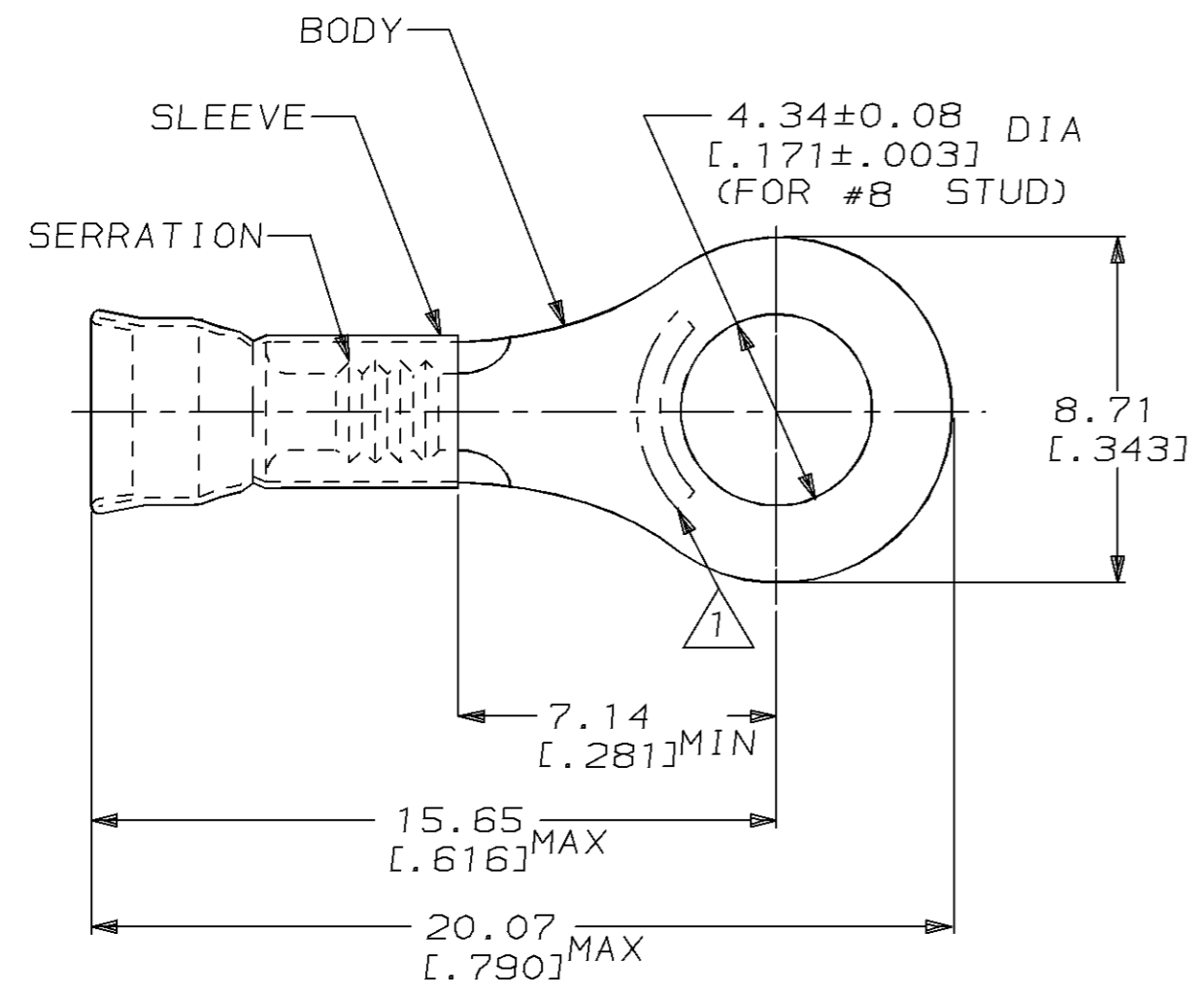


THIS DRAWING IS UNPUBLISHED. RELEASED FOR PUBLICATION, 19 .
 © COPYRIGHT 19 BY AMP INCORPORATED. ALL RIGHTS RESERVED.

LOC	DIST	REVISIONS			
P	LTR	DESCRIPTION	DATE	DWN	APVD
G	14	E	OBS 2--1 / 0L20-0081-96	12DEC96	ME SB

AMP WIRE RANGE	UL E13288	SR LR7189 Certified
16-14 AWG SOLID OR STRANDED	16-14 AWG SOLID OR STRANDED	16-14 AWG SOLID OR STRANDED



1. STAMP AMP 16-14* LOCATE APPROX AS SHOWN

- 2. WIRE INSUL DIA, 2.92-4.32 [.115-.170]
- 3. TONGUE MATL THK, 0.79±0.05 [.031±.002]

OBSOLETE	5000	ON TAPE, REEL	2-30927-1
	1000	LOOSE PIECE	30927
	QTY	PACKAGE TYPE	PART NO

AMP INCORPORATED CUSTOMER SERVICE SYSTEM		MAX RECOMMENDED OPERATING TEMPERATURE: 170°C [338°F]	THIS DRAWING IS A CONTROLLED DOCUMENT FOR AMP INCORPORATED. IT IS SUBJECT TO CHANGE AND THE CONTROLLING ENGINEERING ORGANIZATION SHOULD BE CONTACTED FOR THE LATEST REVISION.		DWN L OLMEDA 23JAN95	AMP AMP Incorporated Harrisburg, PA 17105-3608
FOR ADDITIONAL PRODUCT INFORMATION OR COPIES OF DRAWINGS AND TECHNICAL DOCUMENTS	PRODUCT INFORMATION CENTER 1-800-522-6752		VOLTAGE RATING: -	DIMENSIONS: mm [in]	TOLERANCES UNLESS OTHERWISE SPECIFIED:	
FOR APPLICATION TOOLING INFORMATION	TOOLING ASSISTANCE CENTER 1-800-722-1111	CIRCULAR MIL AREA: 1.04mm ² -2.62mm ² [2050-5180]		0 PLC ±-	1 PLC ±-	NAME S BORTNER 23JAN95 TERMINAL, RING, DIAMOND GRIP™, WIRE SIZE, 16-14 AWG
FOR ORDER ENTRY	1-800-526-5142	MATERIAL BODY, CU, SLV, CU PER ASTM B152		2 PLC ±0.20 [.008]	3 PLC ±-	4 PLC ±-
			FINISH TIN PLATE PER MIL-T-10727	ANGLES ±-	APVD S BORTNER 23JAN95	SIZE A3
				CUSTOMER DRAWING	APPLICATION SPEC -	CAGE CODE 00779
					WEIGHT -	DRAWING NO C-30927
						SCALE 6:1
						SHEET 1 OF 1
						REV E